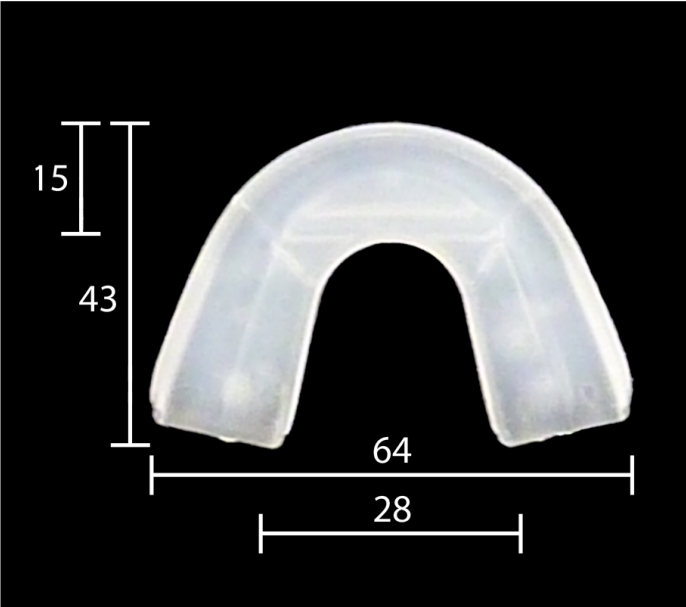


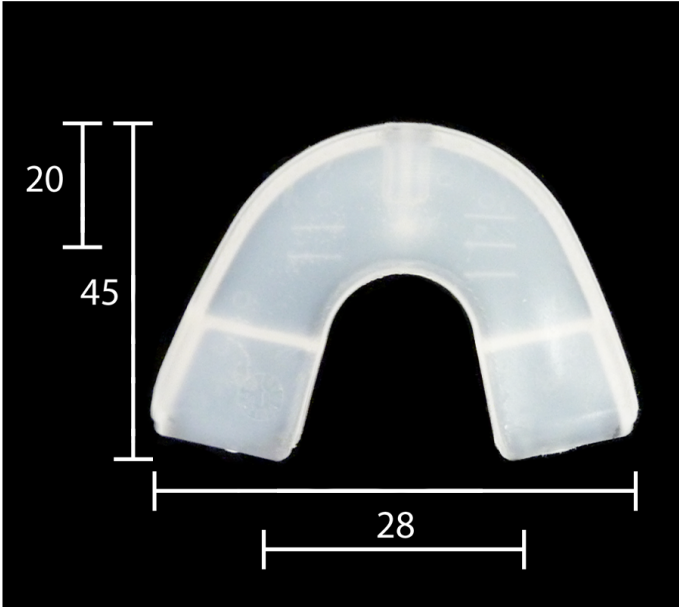
Tomed SomnoGuard Bite Registration Guide

Measurements in MM, Actual Size

SomnoGuard AP

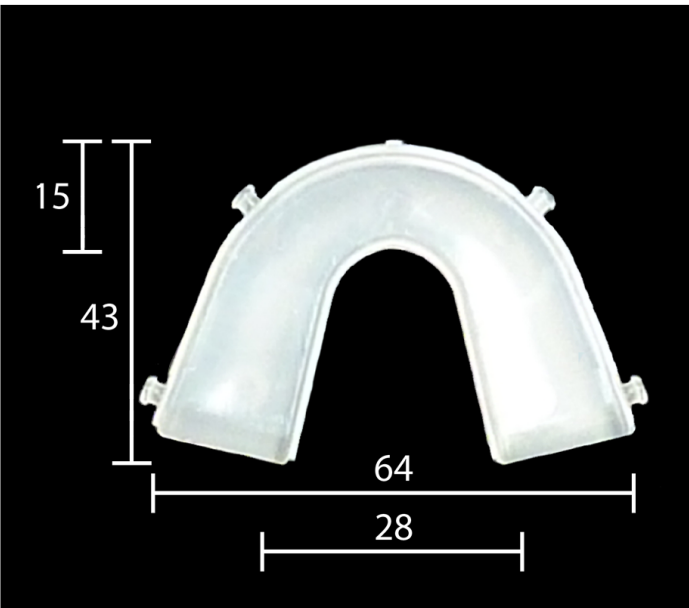


Upper Part (Channel)

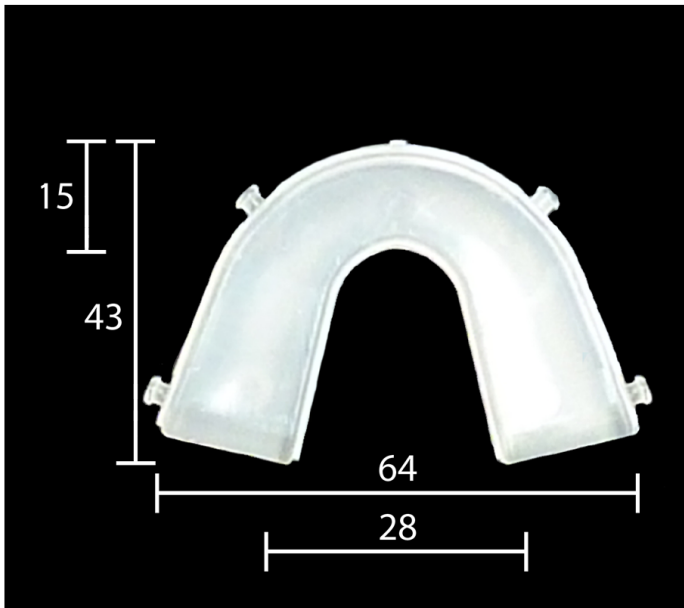


Lower Part (Screw)

SomnoGuard SP Soft



Upper Part



Lower Part